

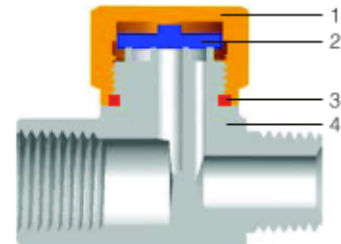
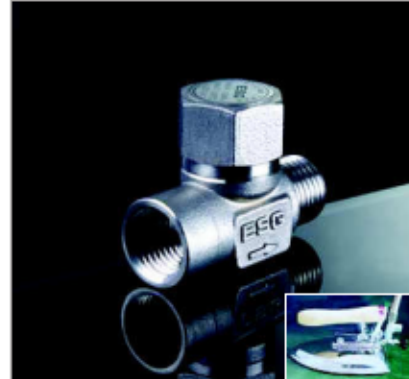
Thermodynamic Steam Trap

DN8 Advantages

1. Small and compact, highly efficient.
 2. Superb energy efficiency.
 3. Easy to install and operate.
- Application: Drip legs, steam tracing, laundry equipment.

DN8 Part list

NO	Name	Material
1	Bonnet	Stainless steel 304 (CF8)
2	Disk	Stainless steel 420
3	O-ring	Silicon rubber
4	Body	Stainless steel 304 (CF8)

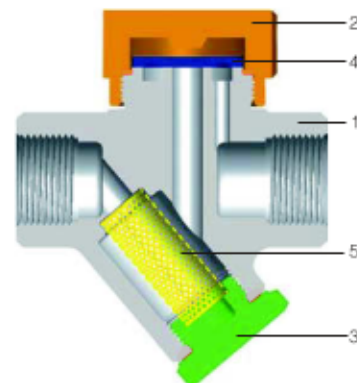


DN15/20/25 Advantages

1. Compact structure.
 2. High durability due to stainless steel inner components and valve body.
 3. Long service life.
- Application: Steam pipelines, iron machines, drying units, etc.

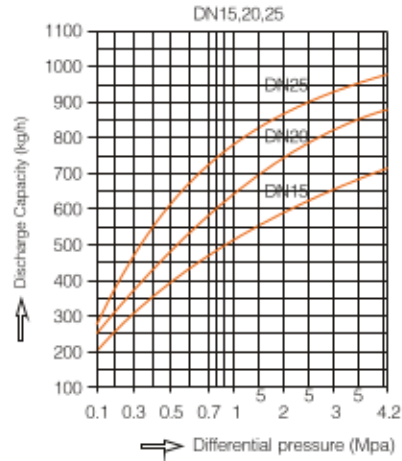
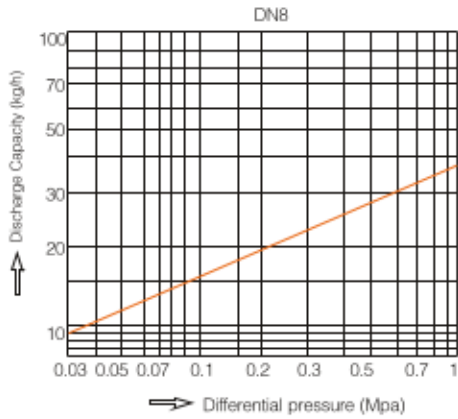
DN15/20/25 Part list

NO	Name	Material
1	Body	ASTM CA40
2	Bonnet	Stainless steel 304(CF8)
3	Discharge Bolt	Stainless steel 304(CF8)
4	Disk	Stainless steel 420
5	Strainer Screen	Stainless steel 304

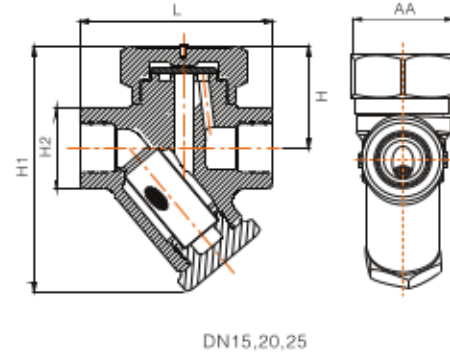
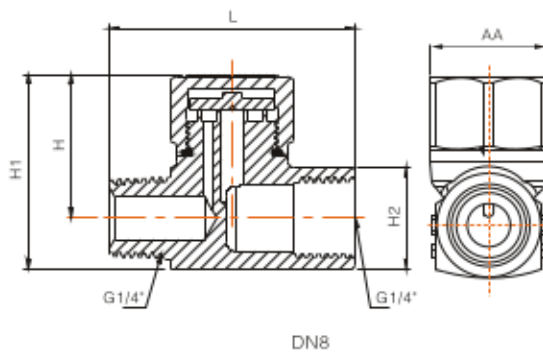


Thermodynamic Steam Trap

Discharge Capacity

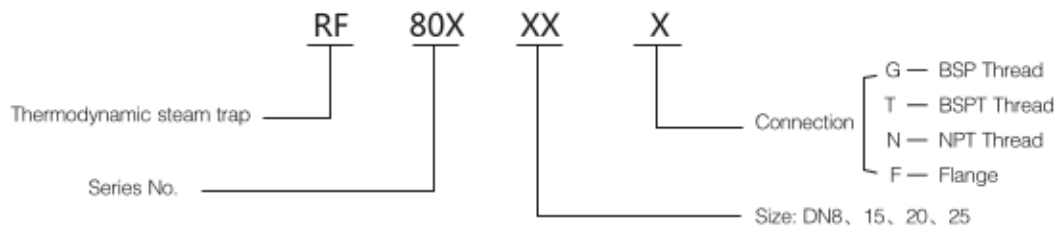


Dimension



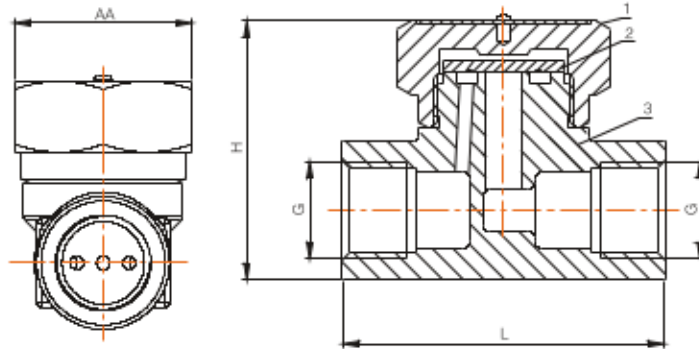
Size	Thread end	Dimension(mm)					Operating Pressure (Mpa)	Max. Operating Temp (°C)	Weight (kg)
		L	H	H1	H2	AA			
DN8	1/4"	40	23	31	16.5	18	0.03-1.0	200	0.07
DN15	1/2"	78	40	99.6	33	44	0.15-4.2	400	0.9
DN20	3/4"	90	49.2	109.2	39	48			1.2
DN25	1"	95	57.5	121.6	45	56			1.7

Order Instruction

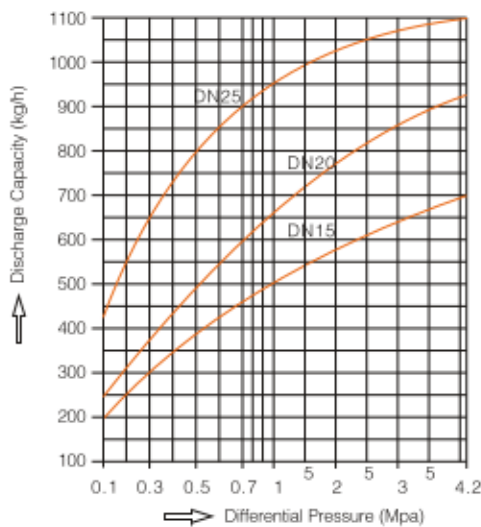


Example: RF 800 25 G
 Means: Steam Trap, Series 800, DN25, BSP thread.

Thermodynamic Steam Trap



Discharge Capacity



Part List

NO	Name	Material
1	Bonnet	Stainless Steel 304(CF8)
2	Disk	Stainless Steel 420
3	Body	ASTM CA40

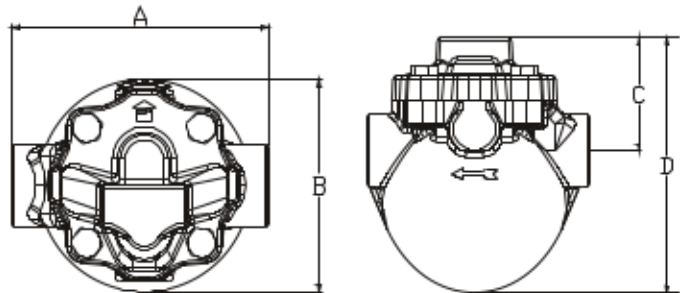
Advantages

1. Compact structure.
 2. High durability due to stainless steel inner components and valve body.
 3. Long service life.
 4. Easy to service and repair.
- Application: Steam pipelines, iron machines, drying units, etc.

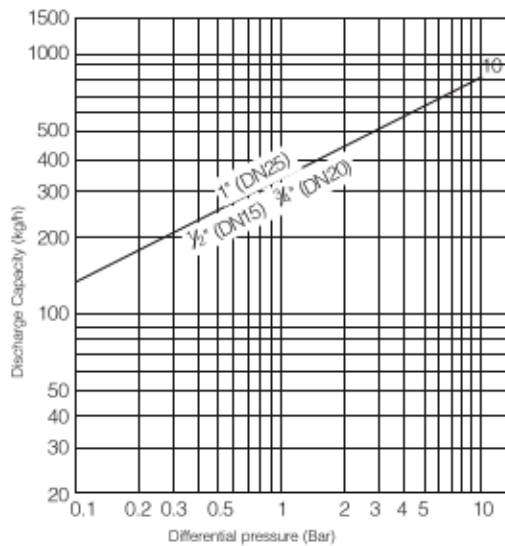
Dimension

Size	G	L	H	AA	Operating Pressure (Mpa)	Max. Operating Temp (°C)	Weight (Kg)
DN15	1/2"	41	70	40	0.25-4.2	400	0.5
DN20	3/4"	43	80	44			0.8
DN25	1"	52	89	55			1.25

Ball Float Steam Traps



Discharge Capacity



Advantages

1. Support both horizontal and vertical installation.
2. Stainless steel material with excellent corrosion resistance and durability.
3. Continuous discharge, with no impact from temperature, pressure and flow. Prevent water hammer due to steam condensation.
4. No steam leakage, minimal heat loss.
5. Automatically discharge non-condensing gas to avoid air resistance.
6. Large discharge capacity improves work efficiency.

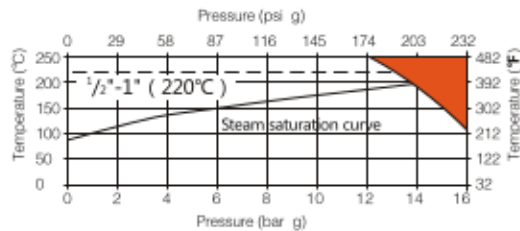
Technical Specification

1. Nominal pressure: PN16
2. PMA Max.Allowable pressure: 16Bar
3. TMA Max.Allowable temperature: 250°C
4. Max.Differential pressure: 10Bar
5. Connection: Thread (BSP, BSPT, NPT)

Dimension

Size	A	B	C	D
DN15	145	108	74	169
DN20	145	108	74	169
DN25	145	108	74	169

Operating Condition

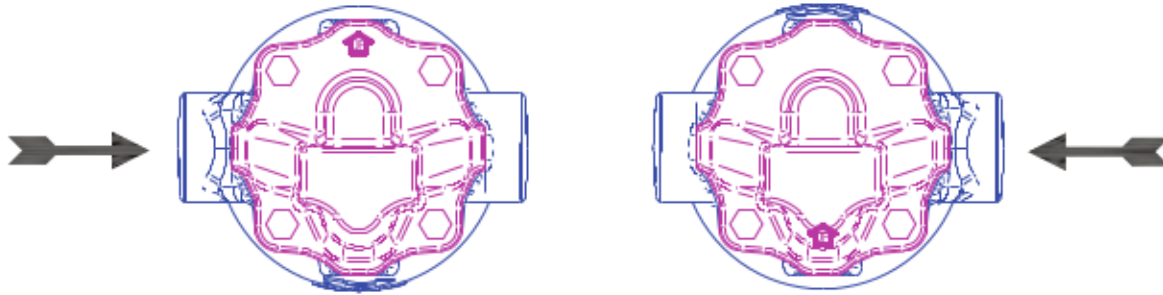


■ The product must not be used under the red condition.

Part List

Body and Bonnet	CF8/CF8M
Bolt	304
Gasket	Soft Graphite
Internal component	Stainless Steel

Ball Float Steam Traps



Attention

1. The steam trap can be applied in three directions (as shown below), please indicate when ordering.
2. BSP、BSPT、NPT、SW can be provided.
3. Steam lock module is available as add-on. Please indicate before ordering .

Advantages

1. Work efficiently under both light and heavy condensate loads.
2. Large discharge capacity ensures minimal condensation .
3. Strong structure and compact in size.
4. Support both vertical and horizontal installation, reducing installation cost .
5. Stainless steel material, corrosion-resistant, superb service life .

Special note

Please keep valve in opposite direction of gravity.
(As shown on the right).

